

FAG

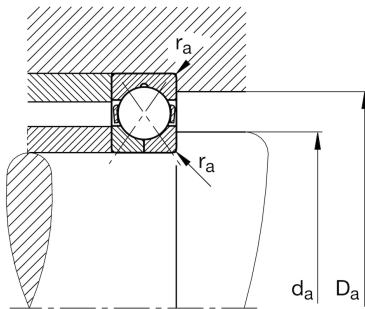
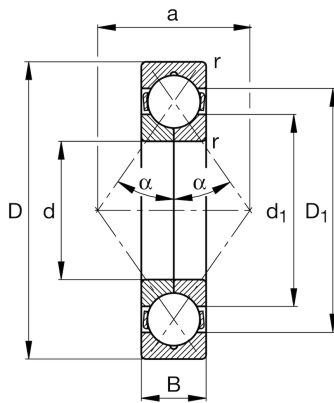
QJ314-XL-MPA

Four-point contact bearing

Schaeffler ID:
0167425910000Four point contact bearing QJ3.-XL-MPA,
X-life, solid brass cage

X-life

Technical information



Main Dimensions & Performance Data

d	70 mm	Bore diameter
D	150 mm	Outside diameter
B	35 mm	Width
C_r	198.000 N	Basic dynamic load rating, radial
C_{0r}	165.000 N	Basic static load rating, radial
C_{ur}	11.800 N	Fatigue load limit, radial
n_G	8.900 1/min	Limiting speed
n_{gr}	4.200 1/min	Reference speed
	3,136 kg	Weight

Dimensions

r_{min}	2,1 mm	Minimum chamfer dimension
D_1	123,6 mm	Shoulder diameter outer ring
d_1	97,7 mm	Shoulder diameter inner ring
a	77 mm	Distance between the apexes of the pressure cones
α	35 °	Contact angle

Mounting dimensions

$d_{a min}$	82 mm	Minimum diameter shaft shoulder
$D_{a max}$	138 mm	Maximum diameter of housing shoulder
$r_{a max}$	2,1 mm	Maximum fillet radius

Temperature range

T_{min}	-30 °C	Operating temperature min.
T_{max}	150 °C	Operating temperature max.